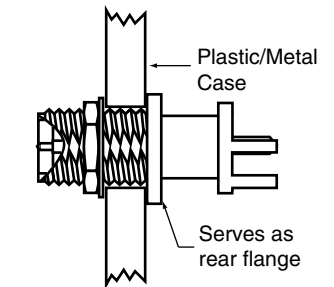
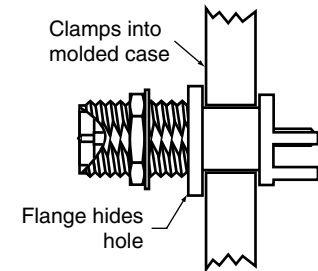
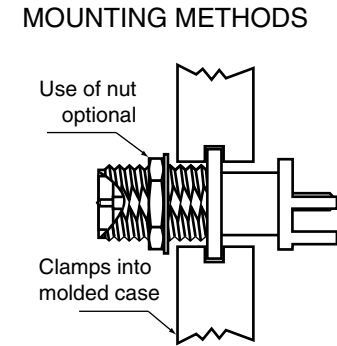
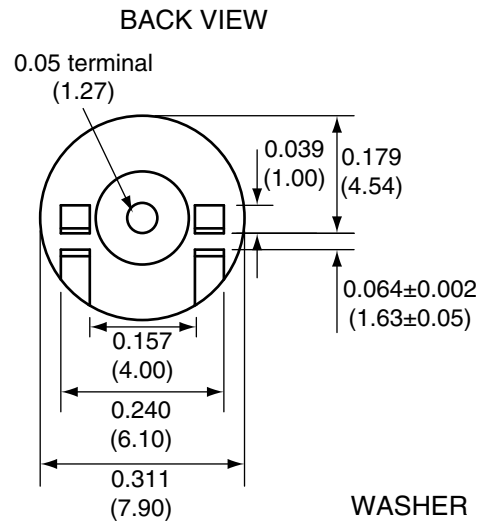
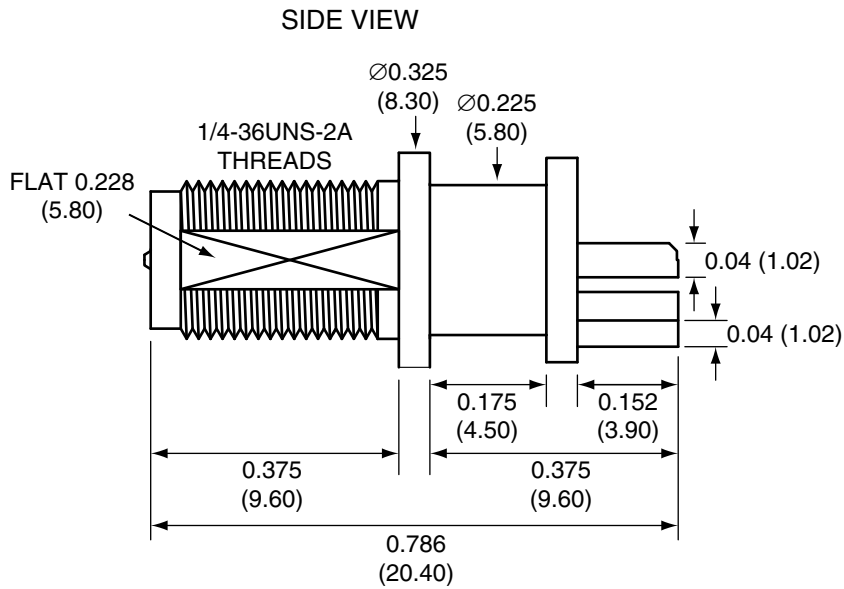
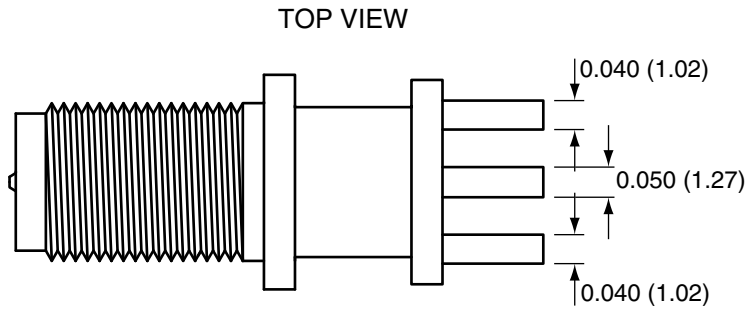
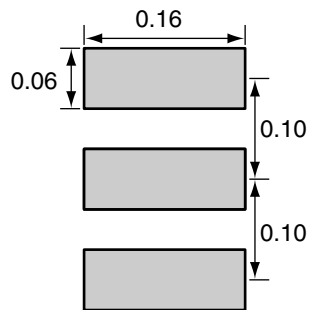


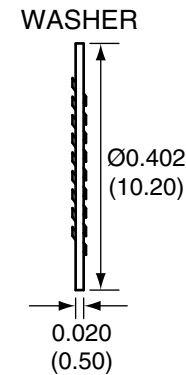
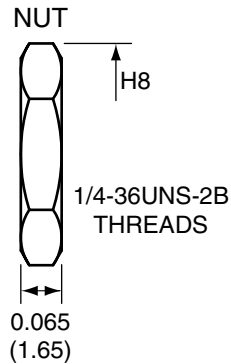
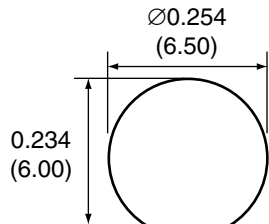
1		
Description	Material	Finish
Body	Brass	Nickel
Pin	Brass	Gold
Insulation	Teflon	Teflon
Washer	Brass	Nickel
Nut	Brass	Nickel



RECOMMENDED FOOTPRINT



RECOMMENDED MOUNTING HOLE



Title RP-SMA FEMALE EDGE MULTI-MOUNT FOR 0.062" THICK BOARD

Part No. CONREV SMA006.062 Revision: 1.0

Dimensions: INCHES (mm) Date: 3/2/2005

CONNECTOR CITY  
159 ORT LANE  
MERLIN, OR 97532  
PH (541)-471-6256  
FAX (541)-471-6251

Sheet 1 of 1

**CONNECTOR CITY**  
THE VALUE OF CONNECTIONS